

## Door Replacement Order Form



**WHEN COMPLETE Fax Order to: (253) 535-3229**

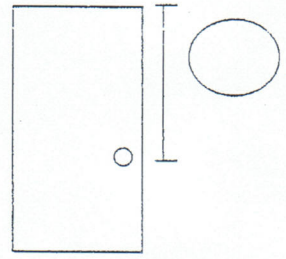
**Customer Information:**

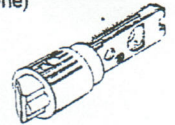
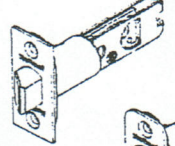
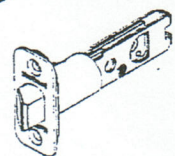
Date: \_\_\_\_\_ Purchase Order: \_\_\_\_\_ Contact: \_\_\_\_\_  
 Customer/Project Name: \_\_\_\_\_ Phone: \_\_\_\_\_  
 Address: \_\_\_\_\_ City/Zip: \_\_\_\_\_

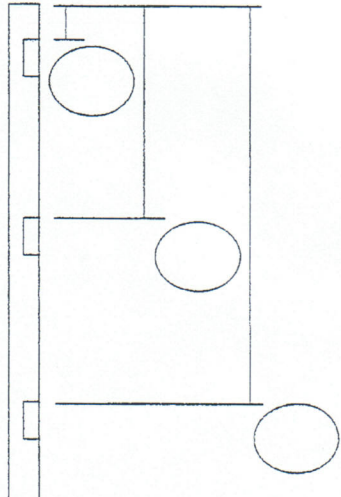
**Door Type:** Autumn/Golden Oak   Strand Oak   Driftwood   Legacy Oak   Legacy Walnut  
 (Circle One)  
 Birch   Oak   Mahogany   Color: \_\_\_\_\_ Other \_\_\_\_\_



**Door Size:** Width: \_\_\_\_\_ (Measure on Hinge Side)  
 Height: \_\_\_\_\_  
 Thickness: 1 3/8   1 3/4   Other: \_\_\_\_\_  
 Core: Hollow Core   Solid Core

**Door Swing:**    
 (Circle One)  
Left Hand Right Hand

**Lock Location:**  
 (Fill in Circle)  
 Measure from TOP of door to CENTER of Lock  
  
**Lock Backset:**  
 (Circle One)   2 3/8"   2 3/4"  
 Measure from EDGE of door to CENTER of Lock

**Bolt Information:**  
 (Circle One)  
 Drive In   
 Square Corner   
 Radius Corner 

**Hinge Layout:**  
 (Fill in Circle)  
 Measure from TOP of Door to TOP of each Hinge  


**Hinge Information:**  
 (Circle Choice)  
 Number of Hinges: 2   3   4  
 Hinge Height: 3 1/2"   4"   4 1/2"  
 Hinge Corner:  
 Square Corner   
 1/4" Radius   
 5/8" Radius 